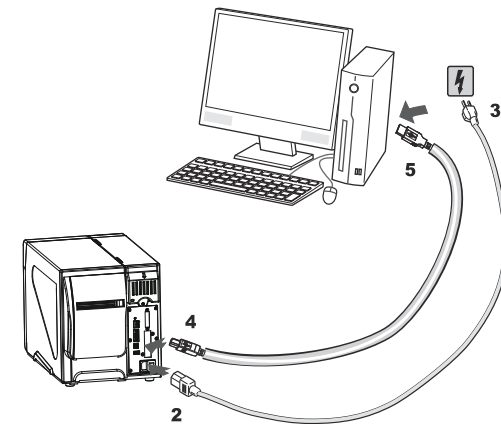
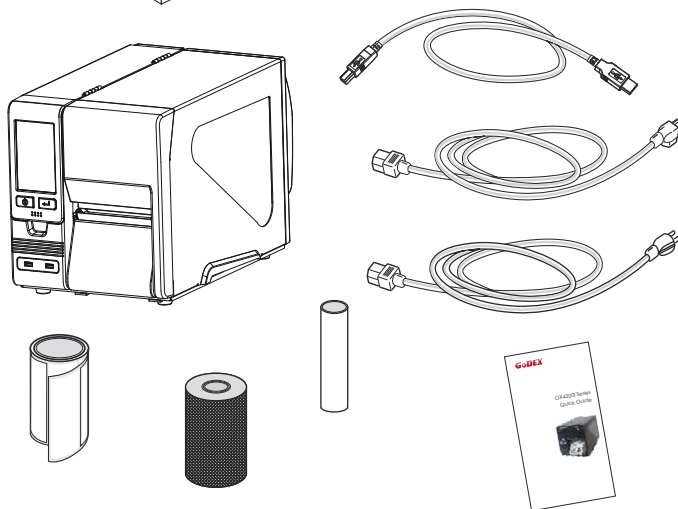
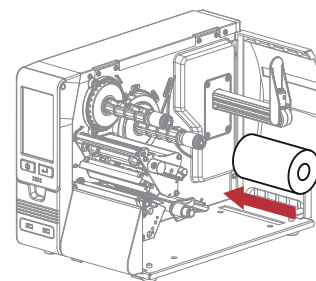
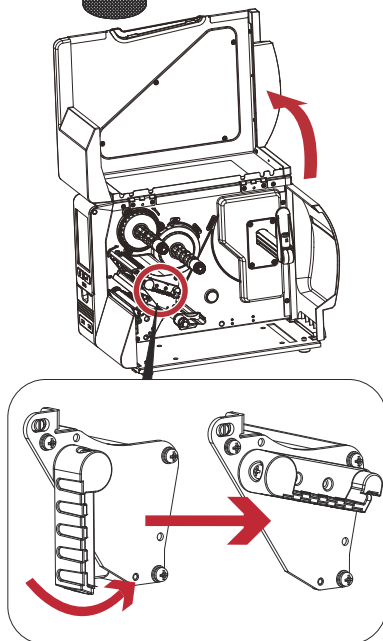


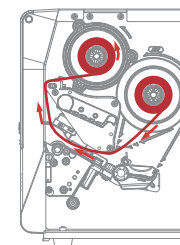
GX4000i Series
Quick Guide



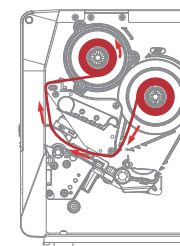
* Package content may vary per region.
* 包裝內容可能會因地區不同而有所差異
* 限用物質含有情況請參考下頁網址

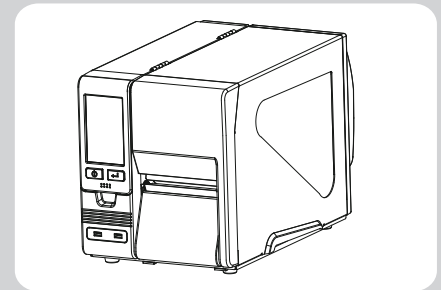
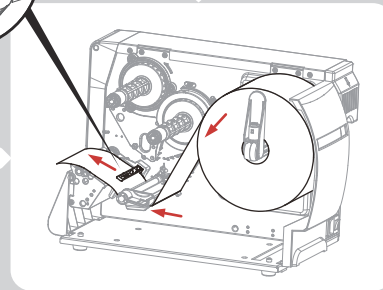
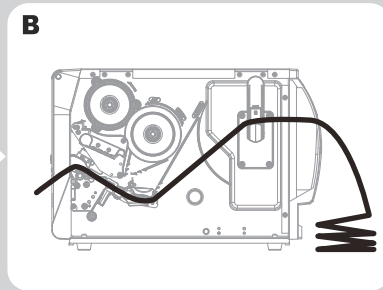
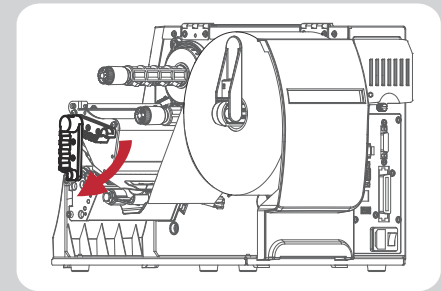
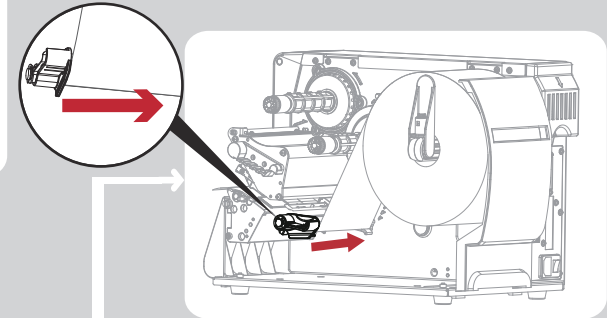
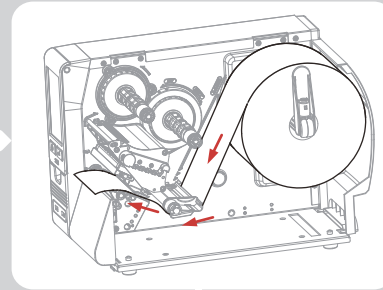
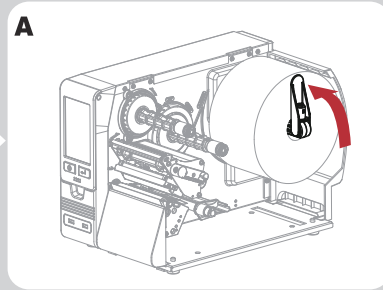
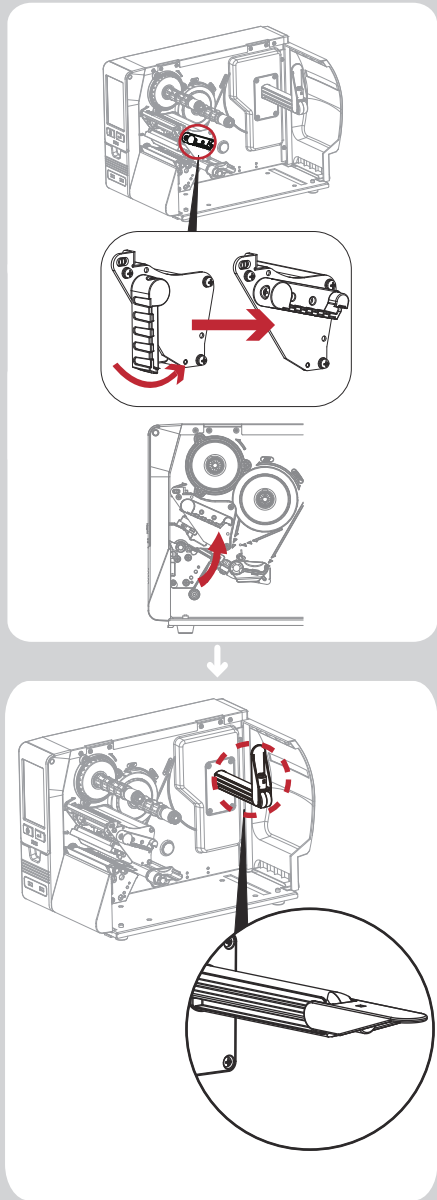


A



B





Please scan the QR Code to get the latest manual and software, or visit GoDEX website to download.



English

https://www.godexintl.com/product/GX4200i_GX4300i_GX4600i?locale=en



繁體中文

請掃描QR Code 或造訪科誠官方網站，取得最新的手冊、軟體及相關資訊。

https://www.godexintl.com/product/GX4200i_GX4300i_GX4600i?locale=zh_TW